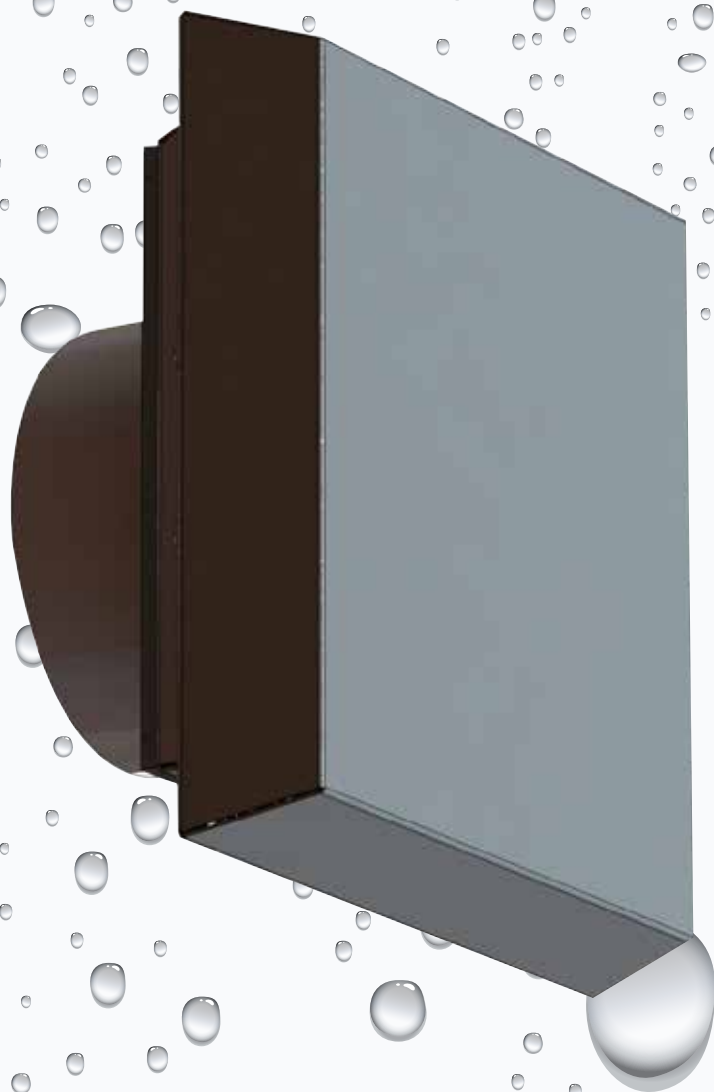


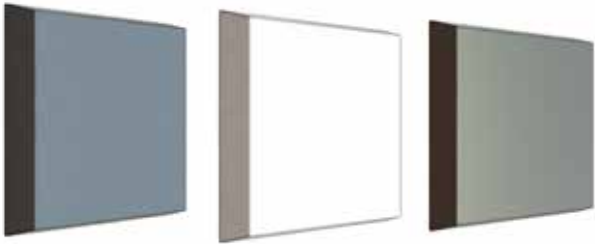
# VYNCOAIR



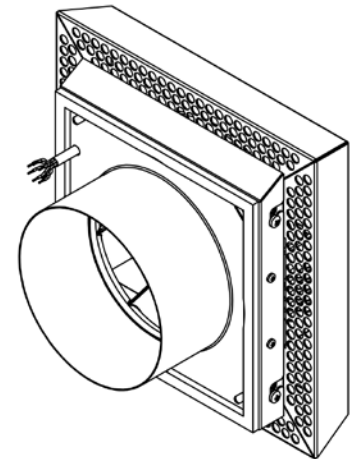
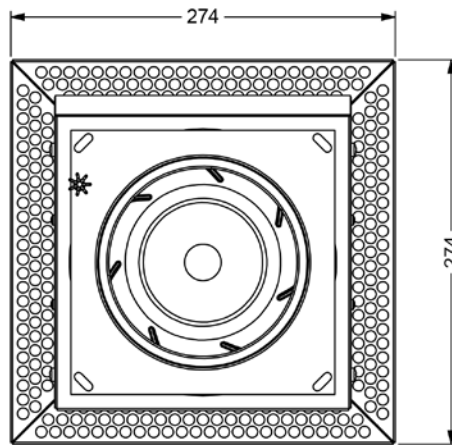
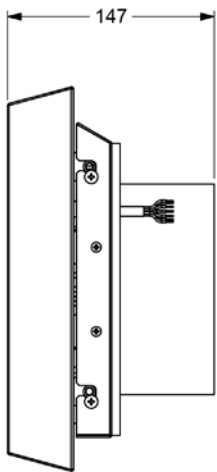
**MAGNUM**

ARCHITECTURAL EXTERNAL GRILLE

# MAGNUM



- Available in powder coated electrogalvanized metal and stainless steel
- Backward curve centrifugal fan in VEF1, VEF1W and VEF1B
- Performance 582m<sup>3</sup>/hr, Wattage 60W, Noise 59dB
- Supplied with terminal box and motor capacitor



CODE	DESCRIPTION	DUCT SIZE (Ømm)	OVERALL SIZE (mm)
VEF1	STAINLESS STEEL FAN AND GRILLE	150	274 x 274
VEF1W	WHITE POWDER COATED METAL FAN AND GRILLE	150	274 x 274
VEF1B	BLACK POWDER COATED METAL FAN AND GRILLE	150	274 x 274
VEG1	STAINLESS STEEL GRILLE ONLY	150	274 x 274
VEG1W	WHITE POWDER COATED METAL GRILLE ONLY	150	274 x 274
VEG1B	BLACK POWDER COATED METAL GRILLE ONLY	150	274 x 274