

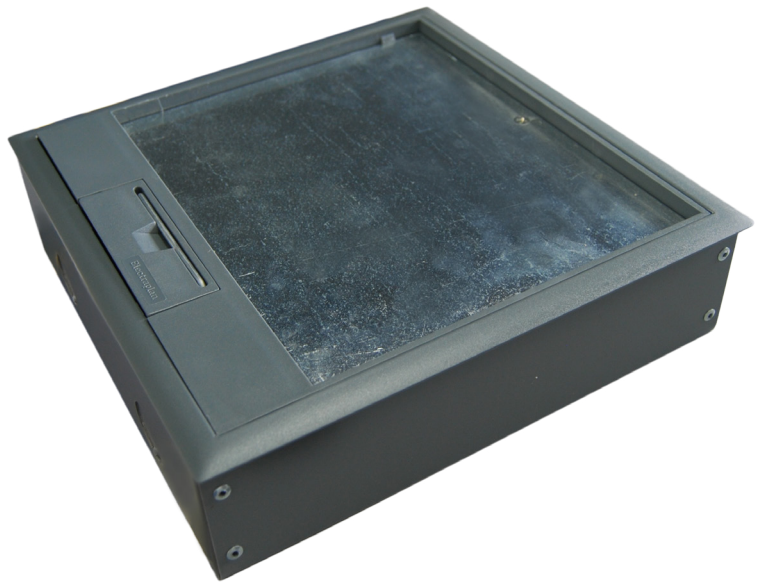
FFOB-570 FLOOR BOX

Shallow square flush floorbox providing power to open plan areas. Two cord outlet ports fold into box to allow cables to exit when in use.

MOULDED POLYAMIDE LID

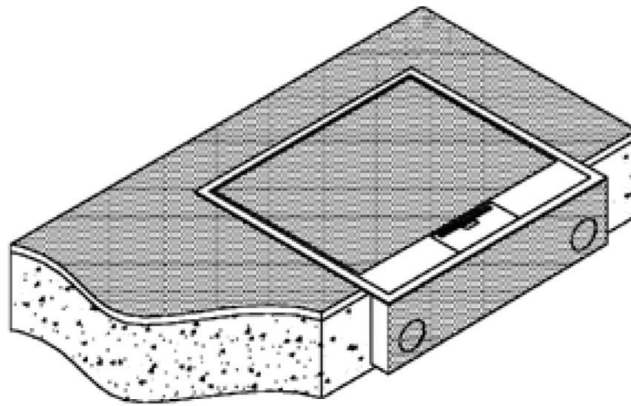
8 MM REBATE FOR FLOORING

GREY COLOUR



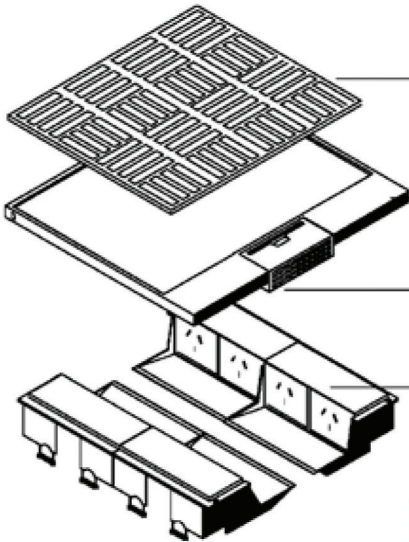
LID SIZE:	242 x 242 mm
BOX BODY SIZE:	245 x 230 x 65 mm
RECESS SIZE:	255 x 240 x 75 mm (concrete pour only)
SUPPLIED WITH:	4 x Auto switch GPOs 4 x voice/data outlets

FFOB-570 ASSEMBLY



**OPTION A
FOAM BLOCKOUT**

**OPTION B
STEEL BOX BODY**

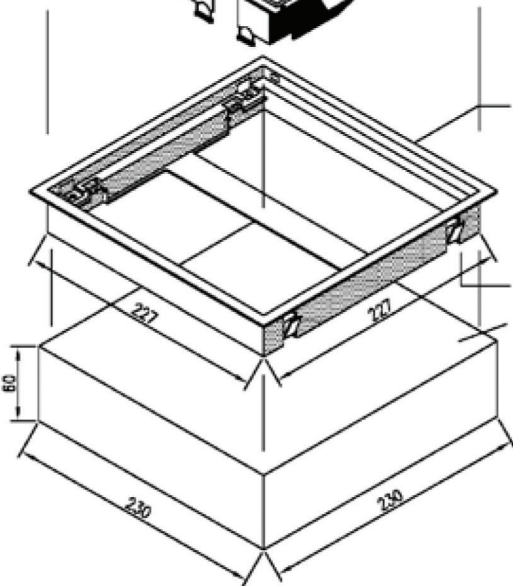
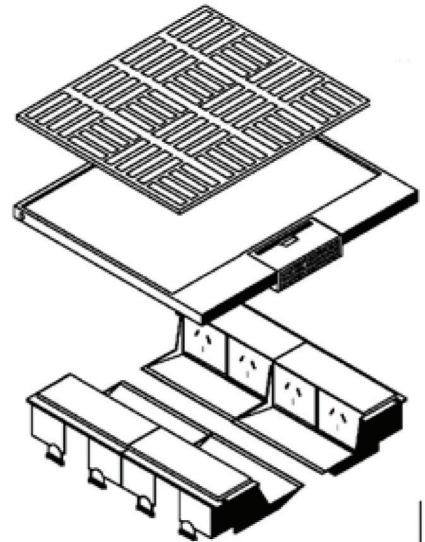


Optional lid infill with slip resistant tread

Moulded polyamide lid with steel insert plate (8mm carpet rebate).

Cable flap with dust guards and recessed handle

Moulded plastic outlet housing



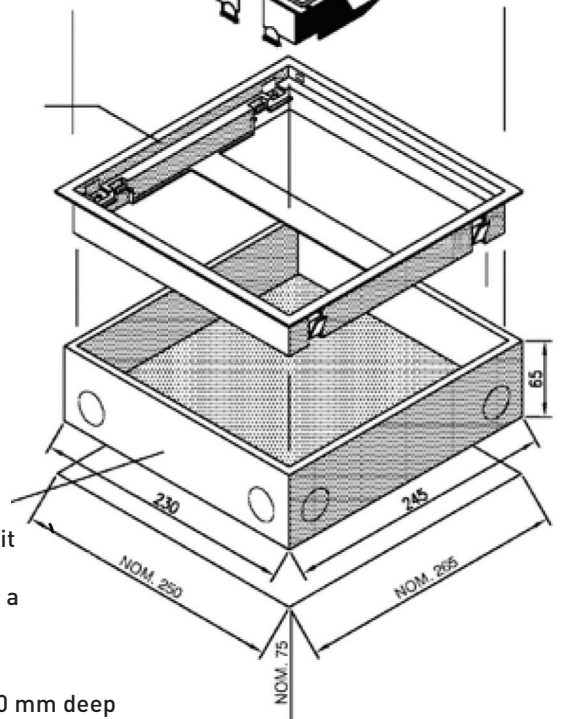
Moulded frame assembly with 10 mm carpet protective side edges. Overall frame size (240 x 240 mm)

Fixing clamps securing lid/frame to box body

Option A: Foam blockout Creating 230 mm x 230mm x 60 mm recess when cast in concrete/screed

Option B: Steel Box Body (287 x 187 x 65 mm deep) 8 No. 25 mm diameter conduit knockouts. Box body can be cast directly into concrete or a preformed recess.

Recess size Option B
Nom. 307 mm x 207 mm x 70 mm deep



All dimension quoted are nominal only. Drawings, images and text are for illustrative purposes only and product details and dimensions are subject to change without notice.

This product is not suitable for use in wet areas, is intended for use with fixed wiring only and must be installed by a licensed Electrical Mechanic in accordance with AS 3000, SAA Wiring Rules and A.C.M.A. requirements.