

FFOB-522S FLOOR BOX

Stylish shallow flush floorbox providing power to open plan areas. Two cord outlet ports fold into box to allow cables to exit when in use.

MOULDED POLYAMIDE GREY LID

8 MM REBATE FOR FLOORING



LID SIZE: 160 x 260 mm

BOX BODY SIZE:

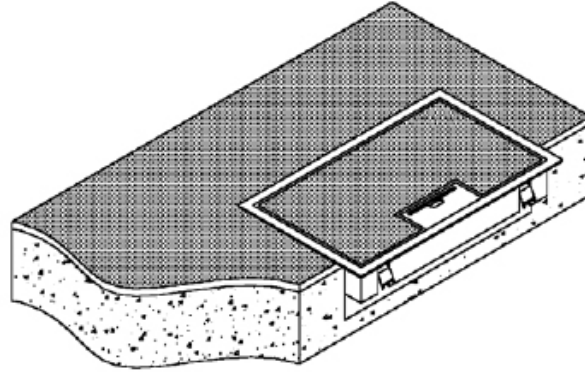
foam blockout method – 247 x 147 x 65 mm
steel blockout method – 287 x 187 x 65 mm

RECESS SIZE:

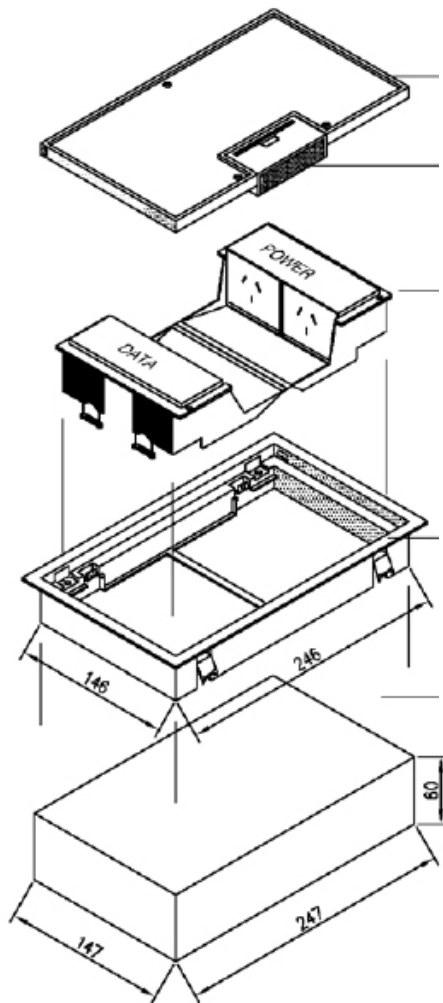
foam blockout method – 247 x 147 x 65 mm
steel blockout method – 307 x 207 x 75 mm

SUPPLIED WITH: 2 Auto Switch GPOs
2 Voice / Data Outlets

FFOB-522S ASSEMBLY



**OPTION A
FOAM BLOCKOUT**



Moulded polyamide lid with steel insert plate (8mm carpet rebate).

Cable flap with dust guards and recessed handle

Moulded plastic outlet housing

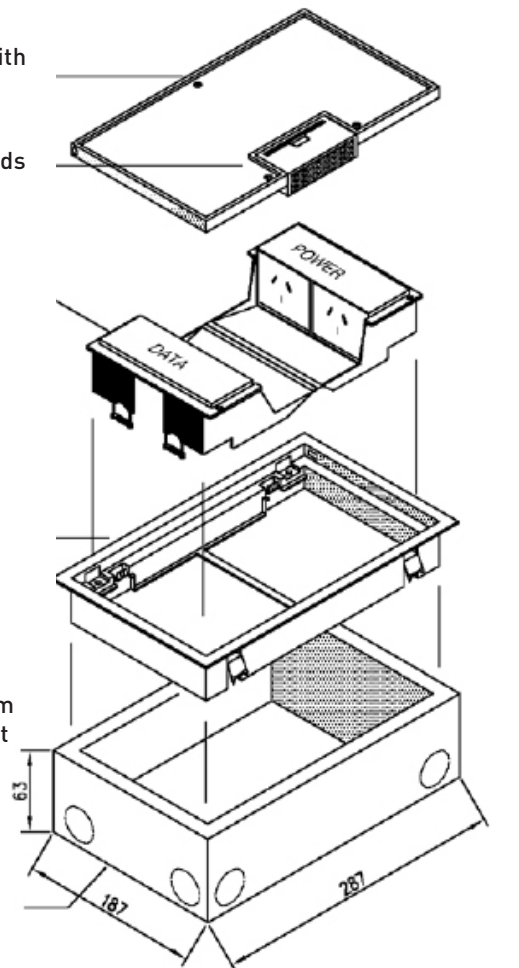
Moulded frame assembly with 10 mm carpet protective side edges. Overall frame size (260 x 160 mm)

Option A: Foam blockout Creating 247 mm x 147mm x 65 mm recess when cast in concrete/screed

Option B: Steel Box Body (287 x 187 x 65 mm deep) 8 No. 25 mm diameter conduit knockouts.

Box body can be cast directly into concrete or a preformed recess

**OPTION B
STEEL BOX BODY**



Recess size Option B
Nom. 307 mm x 207 mm x 70 mm deep

All dimension quoted are nominal only. Drawings, images and text are for illustrative purposes only and product details and dimensions are subject to change without notice.

This product is not suitable for use in wet areas, is intended for use with fixed wiring only and must be installed by a licensed Electrical Mechanic in accordance with AS 3000, SAA Wiring Rules and A.C.M.A. requirements.