

SPECIFICATIONS

Suitable for ceiling or wall mounting and suspending
ABS base and Polycarbonate cover

Voltage: 220 to 240V a.c. 50Hz
Wattage: 24W
Lamp Type: Epistar LED
Luminaire Class: Class 1
Lumen Output: 1920 Lm
Colour Temperature: 4000K
Degree of Protection: IP65
Suitable for indoor and outdoor applications
LED Driver Approval No: TUV16078EA

**WIRING**

L = Live or Phase – Brown or Red
E = Earth – Green or Green/Yellow
N = Neutral – Blue or Black

DIMENSIONS

CODE	LENGTH (mm)	WIDTH (mm)	HEIGHT (mm)	WEIGHT (kg)	No. of clips
VLWLED2	658	158	101	1.32	4

SAFETY

This product should be installed by a suitably qualified person in accordance with Australian and New Zealand Wiring rules. Always disconnect the power to the fitting before opening the cover. In the case of lamp failure, disconnect from mains supply and return to Vynco for service.

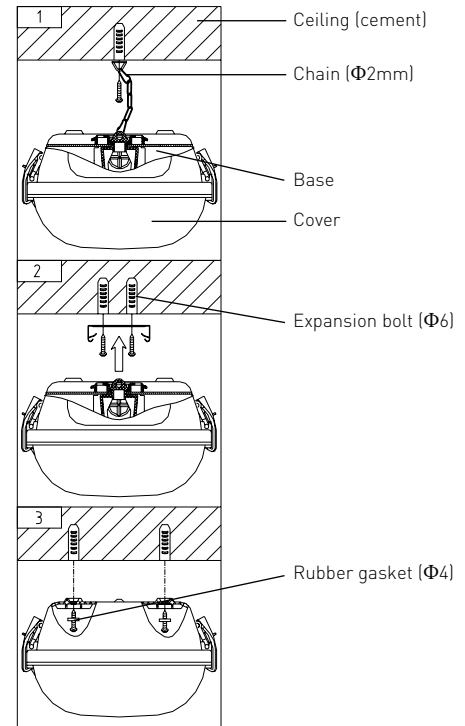
WARRANTY

This product is covered by the standard 3 year Vynco Warranty - proof of purchase is required. Please contact Vynco for details of returns procedure.

NOTE: This product contains NO user serviceable parts.

MOUNTING

CAUTION - Ensure the IP rating is maintained when mounting on to any surface or suspending.



SPECIFICATIONS

Suitable for ceiling or wall mounting and suspending
ABS base and Polycarbonate cover

Voltage: 220 to 240V a.c. 50Hz
Wattage: 45W
Lamp Type: Epistar LED
Luminaire Class: Class 1
Lumen Output: 3600 Lm
Colour Temperature: 4000K
Degree of Protection: IP65
Suitable for indoor and outdoor applications
LED Driver Approval No: TUV16078EA

**WIRING**

L = Live or Phase – Brown or Red
E = Earth – Green or Green/Yellow
N = Neutral – Blue or Black

DIMENSIONS

CODE	LENGTH (mm)	WIDTH (mm)	HEIGHT (mm)	WEIGHT (kg)	No. of clips
VLWLED4	1268	163	105	2.82	8

SAFETY

This product should be installed by a suitably qualified person in accordance with Australian and New Zealand Wiring rules. Always disconnect the power to the fitting before opening the cover. In the case of lamp failure, disconnect from mains supply and return to Vynco for service.

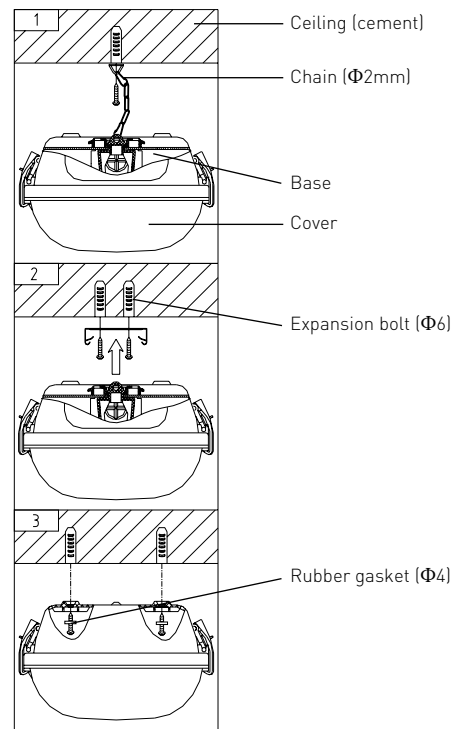
WARRANTY

This product is covered by the standard 3 year Vynco Warranty - proof of purchase is required. Please contact Vynco for details of returns procedure.

NOTE: This product contains NO user serviceable parts.

MOUNTING

CAUTION - Ensure the IP rating is maintained when mounting on to any surface or suspending.



SPECIFICATIONS

Suitable for ceiling or wall mounting and suspending
ABS base and Polycarbonate cover

Voltage: 220 to 240V a.c. 50Hz
Wattage: 45W
Lamp Type: Epistar LED
Luminaire Class: Class 1
Lumen Output: 3600 Lm
Colour Temperature: 4000K
Degree of Protection: IP65
Suitable for indoor and outdoor applications
LED Driver Approval No: TUV16078EA

**WIRING**

L = Live or Phase – Brown or Red
E = Earth – Green or Green/Yellow
N = Neutral – Blue or Black

DIMENSIONS

CODE	LENGTH (mm)	WIDTH (mm)	HEIGHT (mm)	WEIGHT (kg)	No. of clips
VLWLED4	1268	163	105	2.82	8

SAFETY

This product should be installed by a suitably qualified person in accordance with Australian and New Zealand Wiring rules. Always disconnect the power to the fitting before opening the cover. In the case of lamp failure, disconnect from mains supply and return to Vynco for service.

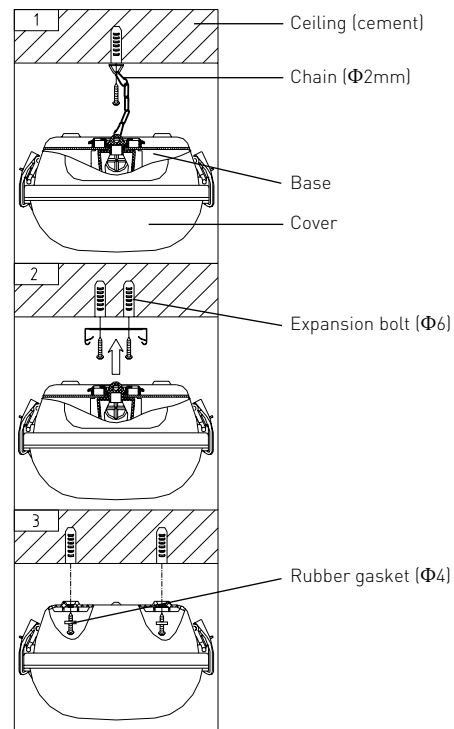
WARRANTY

This product is covered by the standard 3 year Vynco Warranty - proof of purchase is required. Please contact Vynco for details of returns procedure.

NOTE: This product contains NO user serviceable parts.

MOUNTING

CAUTION - Ensure the IP rating is maintained when mounting on to any surface or suspending.



EMERGENCY FITTING

Run Time: 3 hours
Battery pack type: Lithium Ion 12-volt 4400mAH
Temperature range: -20°C to +40°C
Emergency light output: 30%

INSTALL PROCEDURE

For emergency fitting follow the wiring diagram below.

WIRING DIAGRAM

SW A = Switched active/ Emergency controller phase
A = Live or Phase
E = Earth
N = Neutral

This fitting is designed for permanent connection.

24 hour charging period is required before the emergency feature can be used.

**ONCE THE WIRING HAS BEEN COMPLETED,
CONNECT THE BATTERY PACK TO THE
EMERGENCY CONTROLLER.**

TEST PROCEDURE

1. (A) Phase is off
2. (SW A) Phase is live
3. Remove the clear cover
4. The green LED indicator will be on
5. Press the TEST BUTTON to test the function on the light, the light will remain on while the TEST BUTTON is pressed and the green LED indicator will turn off while the TEST BUTTON is pressed

Complies with AS/NZS 60598.2.22

SPECIFICATIONS

Suitable for ceiling or wall mounting and suspending
ABS base and Polycarbonate cover

Voltage: 220 to 240V a.c. 50Hz
Wattage: 64W
Lamp Type: Epistar LED
Luminaire Class: Class 1
Lumen Output: 5120 Lm
Colour Temperature: 4000K
Degree of Protection: IP65
Suitable for indoor and outdoor applications
LED Driver Approval No: TUV16078EA

**WIRING**

L = Live or Phase – Brown or Red
E = Earth – Green or Green/Yellow
N = Neutral – Blue or Black

DIMENSIONS

CODE	LENGTH (mm)	WIDTH (mm)	HEIGHT (mm)	WEIGHT (kg)	No. of clips
VLWLED5	1568	158	101	2.82	10

SAFETY

This product should be installed by a suitably qualified person in accordance with Australian and New Zealand Wiring rules. Always disconnect the power to the fitting before opening the cover. In the case of lamp failure, disconnect from mains supply and return to Vynco for service.

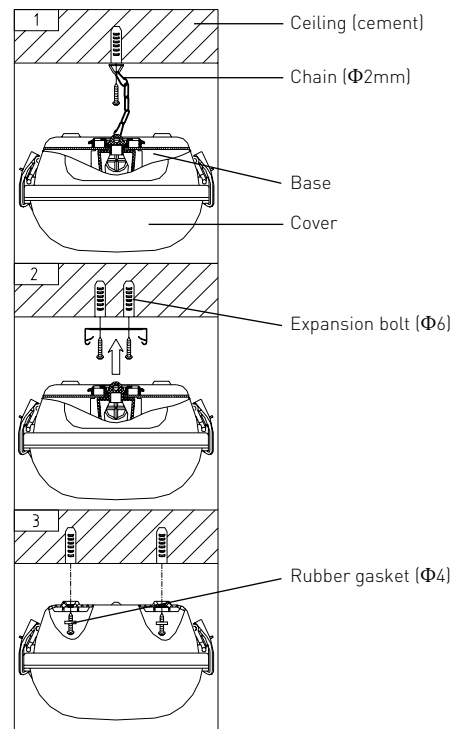
WARRANTY

This product is covered by the standard 3 year Vynco Warranty - proof of purchase is required. Please contact Vynco for details of returns procedure.

NOTE: This product contains NO user serviceable parts.

MOUNTING

CAUTION - Ensure the IP rating is maintained when mounting on to any surface or suspending.



SPECIFICATIONS

Suitable for ceiling or wall mounting and suspending
ABS base and Polycarbonate cover

Voltage: 220 to 240V a.c. 50Hz
Wattage: 64W
Lamp Type: Epistar LED
Luminaire Class: Class 1
Lumen Output: 5120 Lm
Colour Temperature: 4000K/6000K
Degree of Protection: IP65
Suitable for indoor and outdoor applications
LED Driver Approval No: TUV16078EA

**IP65****WIRING (PTO FOR EMERGENCY)**

L = Live or Phase – Brown or Red
E = Earth – Green or Green/Yellow
N = Neutral – Blue or Black

DIMENSIONS

CODE	LENGTH (mm)	WIDTH (mm)	HEIGHT (mm)	WEIGHT (kg)	No. of clips
VLWLED5 VLWLED56	1568	158	101	2.82	10

SAFETY

This product should be installed by a suitably qualified person in accordance with Australian and New Zealand Wiring rules. Always disconnect the power to the fitting before opening the cover. In the case of lamp failure, disconnect from mains supply and return to Vynco for service.

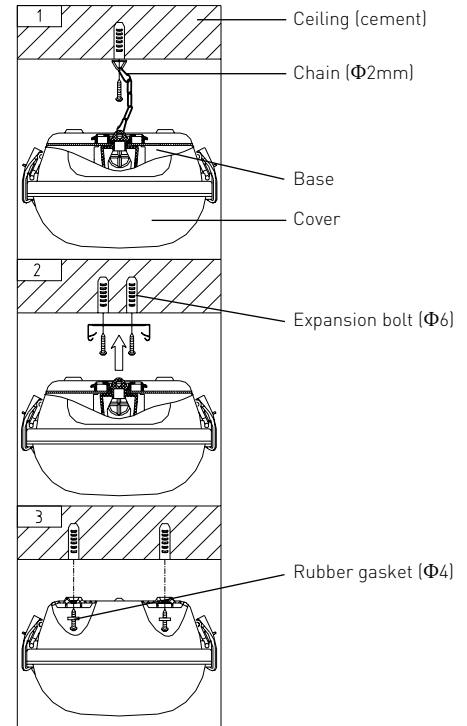
WARRANTY

This product is covered by the standard 3 year Vynco Warranty - proof of purchase is required. Please contact Vynco for details of returns procedure.

NOTE: This product contains NO user serviceable parts.

MOUNTING

CAUTION - Ensure the IP rating is maintained when mounting on to any surface or suspending.



EMERGENCY FITTING

Run Time:	3 hours
Battery pack type:	Lithium Ion 12-volt 4400mAH
Temperature range:	-20°C to +40°C
Emergency light output:	30%

INSTALL PROCEDURE

For emergency fitting follow the wiring diagram below.

WIRING DIAGRAM

SW A = Switched active/ Emergency controller phase

A = Live or Phase

E = Earth

N = Neutral

This fitting is desitgne for permanent connection.

24 hour charging period is required before the emergency feature can be used.

**ONCE THE WIRING HAS BEEN COMPLETED,
CONNECT THE BATTERY PACK TO THE
EMERGENCY CONTROLLER.**

TEST PROCEDURE

1. (A) Phase is off
2. (SW A) Phase is live
3. Remove the clear cover
4. The green LED indicator will be on
5. Press the TEST BUTTON to test the function on the light, the light will remain on while the TEST BUTTON is pressed and the green LED indicator will turn off while the TEST BUTTON is pressed

Complies with AS/NZS 60598.2.22