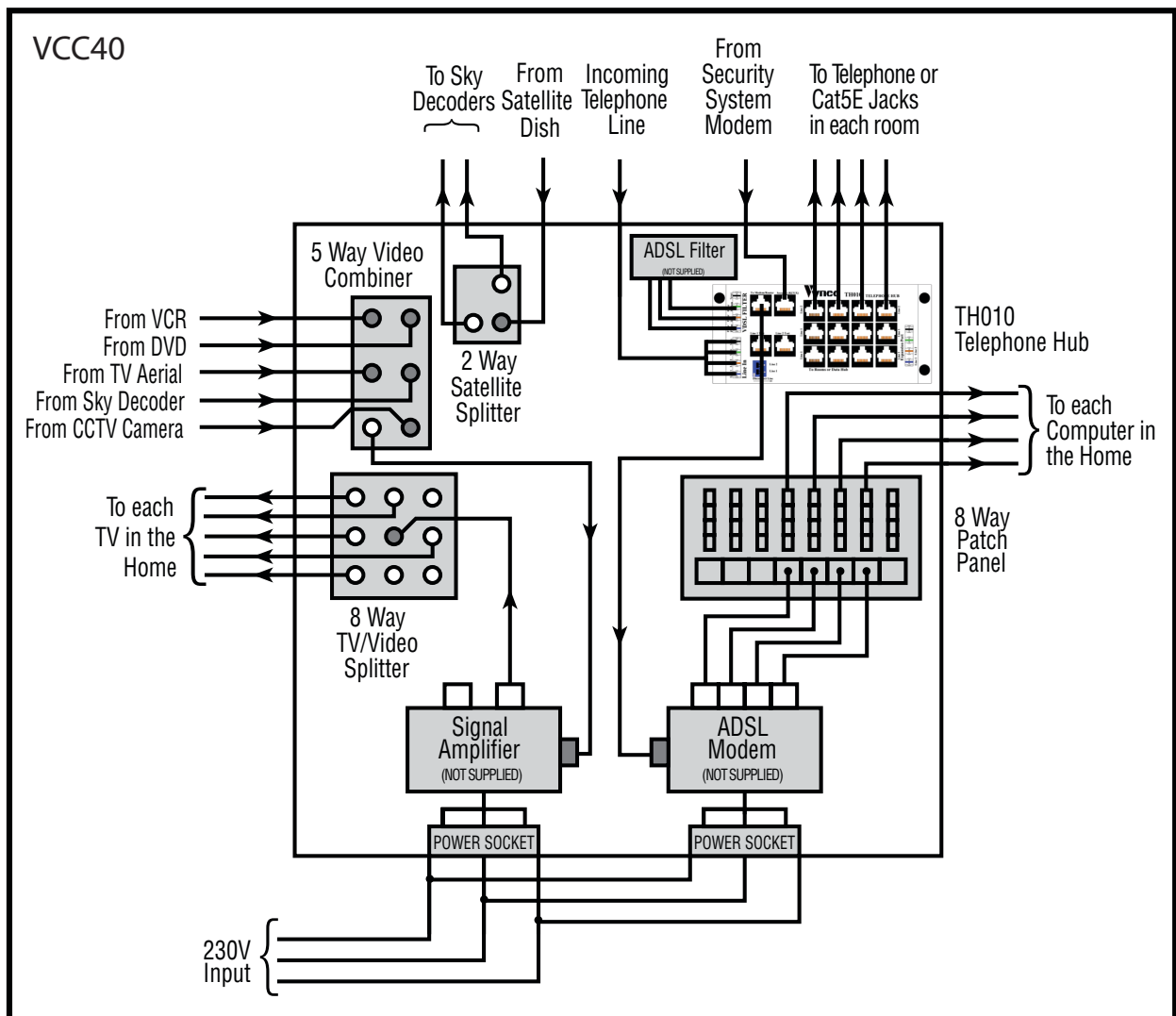
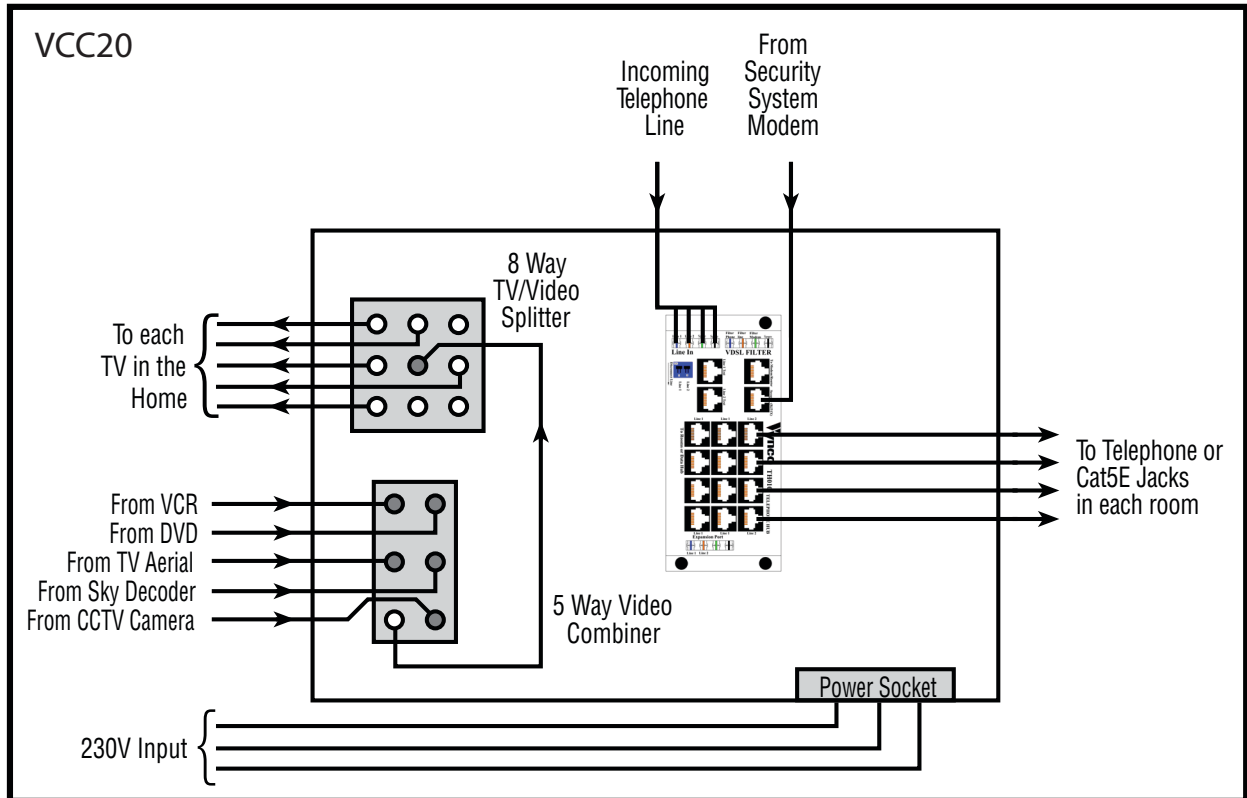


Typical Installations



VCC20 and VCC40 Installation

Important Points.

- Plan your installation before starting.
 - TV, Phone and Data outlets in most rooms.
 - A minimum of 2 Phone/Data and 2 TV/Video outlets is recommended.
- Plan for expansion or changing needs and install more outlets than required
- Use Cat 5 Cable to all Phone and Data outlets.
- Use Sky approved (Belden and TimesFibre) RG6 Cable to all TV, Video and Satellite outlets.
- Use Sky approved “F” Connectors and the correct crimping tools for all RG6 Connections.
 - Joint failure is the most common cause of installation problems.
- Recommended minimum bend radius for cables.
 - RG6 Cable - 70mm radius.
 - Cat 5 Cable - 20mm radius.
- All signals from the DVD and Video to the Board need to be modulated.
- Only use a “110 Tool” to punch down all Telephone/Data cables

		Date:	
Phone		TV/Video	
Outlet	Room	Inlet	From Room
1		1	
2		2	
3		3	
4		4	
5		5	
6			
Data Network	Room	Outlet	To Room
1		1	
2		2	
3		3	
4		4	
5		5	
6		6	
7		7	
8		8	

Vynco Industries (NZ) Ltd

Christchurch

PO Box 9022, Tower Junction
 Christchurch 8149
 388 – 396 Tuam Street, Christchurch, 8011
 P +64 3 379 9283 F +64 3 379 6838
 E chchsales@vynco.co.nz

Northern Region / Auckland

PO Box 12 249
 58 Walls Road, Penrose
 Auckland 1061
 P +64 9 525 6051 F +64 9 525 5799
 E vyncoauck@vynco.co.nz

VYNCO
www.vynco.co.nz