

# VYNCO

2021 CIRCUIT PROTECTION CATALOGUE



GE

IS NOW

# ABB

# VYNCO



## CIRCUIT PROTECTION PRODUCTS



VYNCO is proud to partner with leading global technology group ABB, a business that matches our history in the industry and dedication to innovative product, in providing New Zealand electricians with high quality electrical solutions.

From miniature circuit breakers to isolators, ABB's circuit protection range encompasses both your large and small scale project needs.

# TABLE OF CONTENTS


  
**DMS-LINE**  
**MCBS**  
**IS NOW**



**SH RANGE**


  
**REDLINE**  
**MCBS**  
**IS NOW**



**S RANGE**


  
**DMS-LINE**  
**COMPACT**  
**RCCBS**  
**IS NOW**



**DSN RANGE**


  
**DMS-LINE**  
**RCCBS**  
**IS NOW**



**FH RANGE**

## RESIDENTIAL/COMMERCIAL

Plug In MCBs...	...02
Plug In MCB Accessories...	...02
MCBs...	...03
RCBOs ...	...04
RCCBs...	...06
RCCB Accessories...	...06

Isolators...	...07
--------------	-------

## COMMERCIAL/INDUSTRIAL

MCBs...	...08
RCBOs...	...15
RCCBs...	...18

Arc Fault Detection Devices...	...20
Signal/Auxiliary Contacts...	...23
Insulated Busbar...	...23
End Caps...	...23
Connection Terminals...	...23
Changeover Switches...	...24
Contactors...	...24
Latching Relays...	...25
Time Relay Multifunction...	...25
Bell Transformer...	...25
Surge Protection Arrestors...	...26
Surge Protection Replacement Module...	...26
Analogue Time Switches...	...28
Digital Time Switches...	...28
Time Switch and Light Sensor...	...28

## PLUG-IN MCBs - 1 POLE, C CURVE

240V AC

3kA



Order Code	Current Rating	Price excl. GST	Carton Qty
<b>LP6</b>	6A	\$26.60	Box Qty: 10
<b>LP10</b>	10A	\$26.60	
<b>LP16</b>	16A	\$26.60	
<b>LP20</b>	20A	\$26.60	
<b>LP25</b>	25A	\$26.60	
<b>LP32</b>	32A	\$26.60	

## PLUG-IN MCB ACCESSORIES

240V AC



Order Code	Description	Price excl. GST	Carton Qty
<b>LPB40</b>	Plug-in MCB base, 40A	\$5.40	Box Qty: 10

## MCBs - 6kA, 1 POLE, C CURVE

230-400V AC

Torque  
Setting  
2.0nM

35mm  
Terminal



Order Code	GE Equivalent	Current Rating	Modules	Price excl. GST
<b>SH201C6</b>	<b>690553</b>	6A	1	\$22.95
<b>SH201C10</b>	<b>690554</b>	10A	1	\$22.95
<b>SH201C16</b>	<b>690555</b>	16A	1	\$22.95
<b>SH201C20</b>	<b>690556</b>	20A	1	\$22.95
<b>SH201C25</b>	<b>690557</b>	25A	1	\$22.95
<b>SH201C32</b>	<b>690558</b>	32A	1	\$22.95
<b>SH201C40</b>	<b>690559</b>	40A	1	\$22.95
<b>SH201C50</b>	<b>690560</b>	50A	1	\$22.95
<b>SH201C63</b>	<b>690561</b>	63A	1	\$22.95

Carton Qty
Box Qty: 12

## MCBs - 6kA, 3 POLE, C CURVE

400V AC

Torque  
Setting  
3.5nM

35mm  
Terminal



Order Code	GE Equivalent	Current Rating	Modules	Price excl. GST
<b>SH203C6</b>	<b>676179</b>	6A	3	\$115.00
<b>SH203C10</b>	<b>676180</b>	10A	3	\$115.00
<b>SH203C16</b>	<b>676181</b>	16A	3	\$115.00
<b>SH203C20</b>	<b>676182</b>	20A	3	\$115.00
<b>SH203C25</b>	<b>676183</b>	25A	3	\$115.00
<b>SH203C32</b>	<b>676184</b>	32A	3	\$115.00
<b>SH203C40</b>	<b>676185</b>	40A	3	\$115.00
<b>SH203C50</b>	<b>676186</b>	50A	3	\$115.00
<b>SH203C63</b>	<b>676187</b>	63A	3	\$115.00

Carton Qty
Box Qty: 4

**COMPACT RCBOs (RCD/MCB) - 1P + N, TYPE A, 10mA**

230-240V AC

Torque Setting  
3.5nM\*

Torque Setting  
3.0nM  
for  
DSN201EC32A10

6kA

Switched  
Neutral



Order Code	GE Equivalent	Current Rating	Modules	Price excl. GST	Carton Qty
DSN201C10A10	606595, 694651	10A	1	\$157.50	Box Qty: 1
<b>DSN201C16A10</b>	<b>606596, 694653</b>	16A	1	\$157.50	
<b>DSN201C20A10</b>	<b>606597, 694654</b>	20A	1	\$157.50	
DSN201EC32A10	694656	32A	1	\$157.50	

\*Except DSN201EC32A10

**COMPACT RCBOs (RCD/MCB) - 1P + N, TYPE A, 30mA**

230-240V AC

Torque Setting  
3.5nM\*

Torque Setting  
3.0nM  
for  
DSN201EC32A30

6kA

Switched  
Neutral



Order Code	GE Equivalent	Current Rating	Modules	Price excl. GST	Carton Qty
<b>DSN201C6A30</b>	<b>694664</b>	6A	1	\$126.00	Box Qty: 1
<b>DSN201C10A30</b>	<b>694665</b>	10A	1	\$126.00	
<b>DSN201C16A30</b>	<b>694667</b>	16A	1	\$126.00	
<b>DSN201C20A30</b>	<b>694668</b>	20A	1	\$126.00	
<b>DSN201C25A30</b>	<b>694669</b>	25A	1	\$126.00	
<b>DSN201EC32A30</b>	<b>694670</b>	32A	1	\$126.00	

\*Except DSN201EC32A30

**RCBOs (RCD/MCB) - 1P + N, TYPE A, 30mA**

230-240V AC

Torque  
Setting  
3.5nM

6kA

Switched  
Neutral



Order Code	GE Equivalent	Current Rating	Modules	Price excl. GST	Carton Qty
<b>DSH201C10A30</b>	<b>690796</b>	10A	2	\$143.15	Box Qty: 6
<b>DSH201C16A30</b>	<b>690797</b>	16A	2	\$143.15	
<b>DSH201C20A30</b>	<b>690798</b>	20A	2	\$143.15	
<b>DSH201C25A30</b>	<b>690799</b>	25A	2	\$143.15	
<b>DSH201C32A30</b>	<b>690800</b>	32A	2	\$143.15	
<b>DSH201C40A30</b>	<b>690801</b>	40A	2	\$143.15	

**RCCBs - 6kA, TYPE A, 30mA**

230-400V AC

Torque Setting  
2.8nM\*

Torque Setting  
3.5nM†



Order Code	GE Equivalent	Current Rating	Poles	Modules	Price excl. GST
<b>FH202A40</b>	<b>608403</b>	40A	2	2	\$155.15
<b>FH202A63</b>	<b>608405</b>	63A	2	2	\$179.90
<b>FH204A40</b>	<b>608409</b>	40A	4	4	\$205.75
<b>FH204A63</b>	<b>608411</b>	63A	4	4	\$231.70

Carton Qty
Box Qty: 6

\*Except FH204A40 and FH204A63  
† Except FH202A40 and FH202A63

**RCCBs - 10kA, TYPE B, 30mA**

230-400V AC

Torque Setting  
2.8nM

For use with  
EV Chargers



Order Code	GE Equivalent	Current Rating	Poles	Modules	Price excl. GST
<b>F202B40003</b>		40A	2	2	\$750.00
<b>F204B40003</b>	<b>565341</b>	40A	4	4	\$850.00
<b>F204B63003</b>	<b>565345</b>	63A	4	4	\$1,350.00

Carton Qty
Box Qty: 1

**RCCB ACCESSORIES**

Order Code	Description	Price excl. GST
<b>NL3</b>	Neutral Link for RCCB 3 Way	\$11.55
<b>NL5</b>	Neutral Link for RCCB 5 Way	\$15.55



NL3



## ISOLATORS - 63A

230V AC SHD20163	400V AC SHD20263 SHD20363	Torque Setting 2.5nM	10kA
---------------------	---------------------------------	----------------------------	------



Order Code	GE Equivalent	Current Rating	Modules	Price excl. GST	Carton Qty
<b>SHD20163</b>	<b>666562</b>	63A	1	\$30.00	SHD20163: 10
<b>SHD20263</b>	<b>666563</b>	63A	2	\$60.00	SHD20263: 5
<b>SHD20363</b>	<b>666564</b>	63A	3	\$90.00	SHD20363: 1

Rated conditional short-circuit current 10kA in series with NH 00 ≤ 63 A

## ISOLATORS - 100A

230V AC E201100RD	400V AC except E201100RD	Torque Setting 2.5nM	25kA
----------------------	--------------------------------	----------------------------	------



Order Code	GE Equivalent	Current Rating	Modules	Price excl. GST	Carton Qty
<b>E201100RD</b>	<b>666558</b>	100A	1	\$51.40	E201100RD: 10
<b>E202100RD</b>	<b>666559</b>	100A	2	\$82.70	E202100RD: 5
<b>E203100RD</b>	<b>666560</b>	100A	3	\$114.05	E203100RD: 3
<b>E204100RD</b>	<b>666561</b>	100A	4	\$175.00	E204100RD: 2

**MCBs - 6kA, 1 POLE, C CURVE**

230-400V AC

Torque Setting 2.8nM

72V DC Max

35mm & 10mm Double Terminal

Accommodates Accessories



Order Code	GE Equivalent	Current Rating	Modules	Price excl. GST
<b>S201C2</b>	<b>676263</b>	2A	1	\$50.00
<b>S201C4</b>	<b>676265</b>	4A	1	\$50.00
<b>S201C6</b>	<b>676266</b>	6A	1	\$34.50
<b>S201C10</b>	<b>676267</b>	10A	1	\$34.50
<b>S201C16</b>	<b>676269</b>	16A	1	\$34.50
<b>S201C20</b>	<b>676270</b>	20A	1	\$34.50
<b>S201C25</b>	<b>676271</b>	25A	1	\$34.50
<b>S201C32</b>	<b>676272</b>	32A	1	\$34.50
<b>S201C40</b>	<b>676273</b>	40A	1	\$45.50
<b>S201C50</b>	<b>676274</b>	50A	1	\$45.50
<b>S201C63</b>	<b>676275</b>	63A	1	\$45.50

**Carton Qty**

Box Qty: 12

**MCBs - 6kA, 2 POLE, C CURVE**

400V AC

Torque Setting 2.8nM

110V DC Max

35mm & 10mm Double Terminal

Accommodates Accessories



Order Code	GE Equivalent	Current Rating	Modules	Price excl. GST
<b>S202C2</b>	<b>676276</b>	2A	2	\$120.00
S202C4	676278	4A	2	\$120.00
<b>S202C6</b>	<b>676279</b>	6A	2	\$110.00
<b>S202C10</b>	<b>676280</b>	10A	2	\$110.00
<b>S202C16</b>	<b>676282</b>	16A	2	\$110.00
<b>S202C20</b>	<b>676283</b>	20A	2	\$110.00
<b>S202C25</b>	<b>676284</b>	25A	2	\$110.00
<b>S202C32</b>	<b>676285</b>	32A	2	\$110.00
<b>S202C40</b>	<b>676286</b>	40A	2	\$120.00
<b>S202C50</b>	<b>676287</b>	50A	2	\$120.00
<b>S202C63</b>	<b>676288</b>	63A	2	\$120.00

**Carton Qty**

Box Qty: 6

**MCBs - 6kA, 3 POLE, C CURVE**

400V AC	Torque Setting 2.8nM	110V DC Max	35mm & 10mm Double Terminal	Accommodates Accessories
---------	----------------------------	----------------	--------------------------------------	-----------------------------



Order Code	GE Equivalent	Current Rating	Modules	Price excl. GST
S203C2	676291	2A	3	\$250.00
S203C4	676293	4A	3	\$250.00
<b>S203C6</b>	<b>676294</b>	6A	3	\$165.00
<b>S203C10</b>	<b>676295</b>	10A	3	\$150.00
<b>S203C16</b>	<b>676297</b>	16A	3	\$150.00
<b>S203C20</b>	<b>676298</b>	20A	3	\$150.00
<b>S203C25</b>	<b>676299</b>	25A	3	\$150.00
<b>S203C32</b>	<b>676300</b>	32A	3	\$150.00
<b>S203C40</b>	<b>676301</b>	40A	3	\$165.00
<b>S203C50</b>	<b>676302</b>	50A	3	\$165.00
<b>S203C63</b>	<b>676303</b>	63A	3	\$165.00
S203C80	671540	80A	3	\$395.00
S203C100	671541	100A	3	\$395.00

Carton Qty
Box Qty: 4

**MCBs - 6kA, 1 POLE, D CURVE**

230-400V AC	Torque Setting 2.8nM	72V DC Max	35mm & 10mm Double Terminal	Accommodates Accessories
-------------	----------------------------	---------------	--------------------------------------	-----------------------------



Order Code	GE Equivalent	Current Rating	Modules	Price excl. GST
S201D2	676306	2A	1	\$95.00
S201D4	676308	4A	1	\$95.00
S201D6	676309	6A	1	\$57.50
<b>S201D10</b>	<b>676310</b>	10A	1	\$57.50
<b>S201D16</b>	<b>676312</b>	16A	1	\$57.50
<b>S201D20</b>	<b>676313</b>	20A	1	\$57.50
<b>S201D25</b>	<b>676314</b>	25A	1	\$57.50
<b>S201D32</b>	<b>676315</b>	32A	1	\$57.50
<b>S201D40</b>	<b>676316</b>	40A	1	\$75.00
S201D50	676317	50A	1	\$75.00
<b>S201D63</b>	<b>676318</b>	63A	1	\$75.00

Carton Qty
Box Qty: 12

**MCBs - 6kA, 2 POLE, D CURVE**

400V AC

Torque Setting  
2.8nM

110V DC  
Max

35mm  
& 10mm  
Double  
Terminal

Accommodates  
Accessories



Order Code	GE Equivalent	Current Rating	Modules	Price excl. GST
S202D2	676321	2A	2	\$199.50
S202D4	676323	4A	2	\$199.50
S202D6	676324	6A	2	\$169.50
S202D10	676325	10A	2	\$169.50
S202D16	676327	16A	2	\$169.50
S202D20	676328	20A	2	\$169.50
S202D25	676329	25A	2	\$169.50
S202D32	676330	32A	2	\$169.50
S202D40	676331	40A	2	\$199.50
S202D50	676332	50A	2	\$199.50
S202D63	676333	63A	2	\$199.50

Carton Qty
Box Qty: 6

**MCBs - 6kA, 3 POLE, D CURVE**

440V AC

Torque Setting  
2.8nM

110V DC  
Max

35mm  
& 10mm  
Double  
Terminal

Accommodates  
Accessories



Order Code	GE Equivalent	Current Rating	Modules	Price excl. GST
S203D2	676336	2A	3	\$350.00
S203D4	676338	4A	3	\$350.00
S203D6	676339	6A	3	\$205.00
<b>S203D10</b>	<b>676340</b>	10A	3	\$205.00
<b>S203D16</b>	<b>676342</b>	16A	3	\$205.00
<b>S203D20</b>	<b>676343</b>	20A	3	\$205.00
<b>S203D25</b>	<b>676344</b>	25A	3	\$205.00
<b>S203D32</b>	<b>676345</b>	32A	3	\$205.00
<b>S203D40</b>	<b>676346</b>	40A	3	\$245.00
<b>S203D50</b>	<b>676347</b>	50A	3	\$245.00
<b>S203D63</b>	<b>676348</b>	63A	3	\$245.00

Carton Qty
Box Qty: 4

## MCBs - 10kA, 1 POLE, C CURVE

230-400V AC

Torque Setting  
2.8nM\*

72V DC  
Max

35mm  
& 10mm  
Double  
Terminal\*

Accommodates  
Accessories



Order Code	GE Equivalent	Current Rating	Modules	Price excl. GST
S201MC4	674858	4A	1	\$65.00
<b>S201MC6</b>	<b>674859</b>	6A	1	\$47.50
<b>S201MC10</b>	<b>674861</b>	10A	1	\$47.50
<b>S201MC16</b>	<b>674863</b>	16A	1	\$47.50
<b>S201MC20</b>	<b>674864</b>	20A	1	\$47.50
<b>S201MC25</b>	<b>674865</b>	25A	1	\$47.50
<b>S201MC32</b>	<b>674866</b>	32A	1	\$47.50
<b>S201MC40</b>	<b>674867</b>	40A	1	\$47.50
S201MC50	674868	50A	1	\$79.95
<b>S201MC63</b>	<b>674869</b>	63A	1	\$79.95
S801BC80	671528	80A	1	\$155.00
S801BC100	671529	100A	1	\$185.00
S801BC125	671530	125A	1	\$215.00

**Carton Qty**

Box Qty: 12

Except S801BC80, S801BC100,  
& S801BC125: 1

\*Except S801BC80, S801BC100, & S801BC125

## MCBs - 10kA, 2 POLE, C CURVE

400V AC

Torque Setting  
2.8nM\*

125V DC  
Max

35mm  
& 10mm  
Double  
Terminal\*

Accommodates  
Accessories



Order Code	GE Equivalent	Current Rating	Modules	Price excl. GST
S202MC0.5	674886	0.5A	2	\$495.00
S202MC1	674887	1A	2	\$495.00
S202MC2	674888	2A	2	\$155.00
S202MC4	674890	4A	2	\$155.00
S202MC6	674891	6A	2	\$155.00
S202MC10	674893	10A	2	\$155.00
S202MC16	674895	16A	2	\$155.00
S202MC20	674896	20A	2	\$155.00
S202MC25	674897	25A	2	\$155.00
S202MC32	674898	32A	2	\$155.00
S202MC40	674899	40A	2	\$155.00
S202MC50	674900	50A	2	\$210.00
S202MC63	674901	63A	2	\$210.00
S802BC80	671534	80A	2	\$275.00
S802BC100	671535	100A	2	\$335.00
S802BC125	671536	125A	2	\$495.00

**Carton Qty**

Box Qty: 6

Except S802BC80, S802BC100,  
& S802BC125: 1

\*Except S802BC80, S802BC100, & S802BC125

**MCBs - 10kA, 3 POLE, C CURVE**

400V AC

Torque Setting  
2.8nM\*

125V DC  
Max

35mm  
& 10mm  
Double  
Terminal\*

Accommodates  
Accessories



Order Code	GE Equivalent	Current Rating	Modules	Price excl. GST
S203MC4	674906	4A	3	\$250.00
S203MC6	674907	6A	3	\$190.00
<b>S203MC10</b>	<b>674909</b>	10A	3	\$190.00
<b>S203MC16</b>	<b>674911</b>	16A	3	\$190.00
<b>S203MC20</b>	<b>674912</b>	20A	3	\$190.00
S203MC25	674913	25A	3	\$190.00
<b>S203MC32</b>	<b>674914</b>	32A	3	\$190.00
<b>S203MC40</b>	<b>674915</b>	40A	3	\$190.00
<b>S203MC50</b>	<b>674916</b>	50A	3	\$275.00
<b>S203MC63</b>	<b>674917</b>	63A	3	\$275.00
<b>S803BC80</b>	<b>671540</b>	80A	3	\$375.00
<b>S803BC100</b>	<b>671541</b>	100A	3	\$375.00
<b>S803BC125</b>	<b>671542</b>	125A	3	\$475.00

Carton Qty
Box Qty: 4
Except S803BC80, S803BC100, & S803BC125: 1

\*Except S803BC80, S803BC100, & S803BC125

**MCBs - 10kA, 1 POLE, D CURVE**

230-400V AC

Torque Setting  
2.8nM

72V DC  
Max

35mm  
& 10mm  
Double  
Terminal

Accommodates  
Accessories



Order Code	GE Equivalent	Current Rating	Modules	Price excl. GST
S201MD4	675020	4A	1	\$175.00
S201MD6	675021	6A	1	\$105.00
S201MD10	675023	10A	1	\$105.00
S201MD16	675025	16A	1	\$105.00
S201MD20	675026	20A	1	\$105.00
S201MD25	675027	25A	1	\$105.00
S201MD32	675028	32A	1	\$105.00
S201MD40	675029	40A	1	\$105.00
S201MD50	675030	50A	1	\$175.00
S201MD63	675031	63A	1	\$175.00

Carton Qty
Box Qty: 12

## MCBs - 10kA, 2 POLE, D CURVE

400V AC

Torque Setting 2.8nM\*

125V DC Max

35mm & 10mm Double Terminal\*

Accommodates Accessories



Order Code	GE Equivalent	Current Rating	Modules	Price excl. GST
S202MD0.5	675048	0.5A	2	\$395.00
S202MD1	675049	1A	2	\$395.00
S202MD2	675050	2A	2	\$395.00
S202MD4	675052	4A	2	\$395.00
S202MD6	675053	6A	2	\$275.00
S202MD10	675055	10A	2	\$275.00
S202MD16	675057	16A	2	\$275.00
S202MD20	675058	20A	2	\$275.00
S202MD25	675059	25A	2	\$275.00
S202MD32	675060	32A	2	\$275.00
S202MD40	675061	40A	2	\$295.00
S202MD50	675062	50A	2	\$360.00
S202MD63	675063	63A	2	\$395.00
S802BD125	671560	125A	2	POA

Carton Qty
Box Qty: 6
Except S802BD125: 1

\*Except S802BD125

## MCBs - 10kA, 3 POLE, D CURVE

400V AC

Torque Setting 2.8nM

125V DC Max

35mm & 10mm Double Terminal\*

Accommodates Accessories



Order Code	GE Equivalent	Current Rating	Modules	Price excl. GST
S203MD4	675068	4A	3	\$595.00
S203MD6	675069	6A	3	\$450.00
S203MD10	675071	10A	3	\$295.00
S203MD16	675073	16A	3	\$295.00
<b>S203MD20</b>	<b>675074</b>	20A	3	\$295.00
S203MD25	675075	25A	3	\$295.00
S203MD32	675076	32A	3	\$295.00
S203MD40	675077	40A	3	\$295.00
S203MD50	675078	50A	3	\$595.00
S203MD63	675079	63A	3	\$595.00
S803BD80	671564	80A	3	\$595.00
<b>S803BD100</b>	<b>671565</b>	100A	3	\$695.00
S803BD125	671566	125A	3	\$750.00

Carton Qty
Box Qty: 4
Except S803BD80, S803BD100, S803BD125: 1

\*Except S803BD80, S803BD100, & S803BD125

**MCBs - 25kA, 1 POLE, C CURVE**

230-400V AC

Torque Setting 2.8nM

72V DC Max

35mm & 10mm Double Terminal

Accommodates Accessories



Order Code	GE Equivalent	Current Rating	Modules	Price excl. GST	Carton Qty
<b>S201PC10</b>	<b>675291</b>	10A	1	\$109.07	Box Qty: 12
S201PC20	675294	20A	1	\$124.99	

**MCBs - 25kA, 3 POLE, C CURVE**

400V AC

Torque Setting 2.8nM

12V DC Min

35mm & 10mm Double Terminal

Accommodates Accessories



Order Code	GE Equivalent	Current Rating	Modules	Price excl. GST	Carton Qty
<b>S203PC63</b>	<b>675331</b>	63A	3	\$759.78	Box Qty: 4



**COMPACT RCBOs (RCD/MCB) - 1P+N, TYPE A, 10mA — CHASSIS AND BUSBAR CONNECTION**

230V AC

6kA

Switched Neutral

Torque Setting 4.5nM



Order Code	GE Equivalent	Current Rating	Modules	Price excl. GST	Carton Qty
<b>DSE201C10A10NS</b>	<b>694853,694841</b>	10A	1	\$230.00	Box Qty: 1
<b>DSE201C16A10NS</b>	<b>694854,694842</b>	16A	1	\$230.00	
<b>DSE201C20A10NS</b>	<b>694855,694843</b>	20A	1	\$230.00	

Residual current operated circuit breaker with overcurrent protection.  
Compact chassis or DIN mount / phase bar connectible.

**COMPACT RCBOs (RCD/MCB) - 1P+N, TYPE A, 30mA — CHASSIS AND BUSBAR CONNECTION**

230V AC

6kA

Switched Neutral

Torque Setting 4.5nM



Order Code	GE Equivalent	Current Rating	Modules	Price excl. GST	Carton Qty
<b>DSE201C6A30NS</b>	<b>694810</b>	6A	1	\$198.50	Box Qty: 1
<b>DSE201C10A30NS</b>	<b>694811</b>	10A	1	\$198.50	
<b>DSE201C16A30NS</b>	<b>694812</b>	16A	1	\$198.50	
<b>DSE201C20A30NS</b>	<b>694813</b>	20A	1	\$198.50	
<b>DSE201C25A30NS</b>	<b>694814</b>	25A	1	\$198.50	
<b>DSE201C32A30NS</b>	<b>694815</b>	32A	1	\$198.50	

Residual current operated circuit breaker with overcurrent protection.  
Compact chassis or DIN mount / phase bar connectible.

**RCBOs (RCD/MCB) - 1P+N, TYPE A, 10mA**

230-400V AC      10kA      Switched Neutral



Order Code	GE Equivalent	Current Rating	Modules	Price excl. GST	Carton Qty
DS201MC10A10	604997	10A	2	\$325.00	Box Qty: 1
DS201MC16A10	604998	16A	2	\$325.00	

**RCBOs (RCD/MCB) - 1P+N, TYPE A, 30mA**

230-400V AC      10kA      Switched Neutral



Order Code	GE Equivalent	Current Rating	Modules	Price excl. GST	Carton Qty
DS201MC10A30	609901	10A	2	\$295.00	Box Qty: 1
DS201MC16A30	609903	16A	2	\$295.00	
DS201MC20A30	609904	20A	2	\$295.00	
DS201MC25A30	609905	25A	2	\$295.00	
<b>DS201MC32A30</b>	<b>609906</b>	32A	2	\$295.00	
DS201MC40A30	609907	40A	2	\$295.00	

**RCBOs (RCD/MCB) - 3P+N, TYPE A, 30mA**

400-415V AC

6kA

Switched  
Neutral



Order Code	Current Rating	Modules	Price excl. GST	Carton Qty
DS203NCC6A30	6A	4	\$850.00	Box Qty: 1
DS203NCC10A30	10A	4	\$850.00	
DS203NCC16A30	16A	4	\$850.00	
DS203NCC20A30	20A	4	\$850.00	
DS203NCC25A30	25A	4	\$850.00	
DS203NCC32A30	32A	4	\$850.00	

**RCCBs - 10kA, TYPE A, 30mA**

230-400V AC

Torque Setting  
3.5nM



Order Code	GE Equivalent	Current Rating	Poles	Modules	Price excl. GST	Carton Qty
<b>F202A40003</b>	<b>606087</b>	40A	2	2	\$192.00	Box Qty: 1
F202A63003	606088	63A	2	2	\$371.66	
<b>F204A25003</b>	<b>606163</b>	25A	4	4	\$259.00	
<b>F204A40003</b>	<b>607394</b>	40A	4	4	\$259.00	
<b>F204A63003</b>	<b>606165</b>	63A	4	4	\$291.00	
<b>F204A100003</b>	<b>606167</b>	100A	4	4	\$695.00	

**RCCBs - 10kA, TYPE A, 300mA**

400V AC

Torque Setting  
3.5nM



Order Code	GE Equivalent	Current Rating	Poles	Modules	Price excl. GST	Carton Qty
F204A4003	606179	40A	4	4	\$407.97	Box Qty: 1
<b>F204A6303</b>	<b>607401</b>	63A	4	4	\$501.69	

**RCCBs - 10kA, TYPE B, 30mA**

230-400V AC

Torque Setting 2.8nM

For use with EV Chargers



Order Code	GE Equivalent	Current Rating	Poles	Modules	Price excl. GST
<b>F202B40003</b>		40A	2	2	\$750.00
<b>F204B40003</b>	<b>565341</b>	40A	4	4	\$850.00
<b>F204B63003</b>	<b>565345</b>	63A	4	4	\$1,350.00

Carton Qty
Box Qty: 1

**RCCBs - HIGH IMMUNITY, 30mA**

230V AC

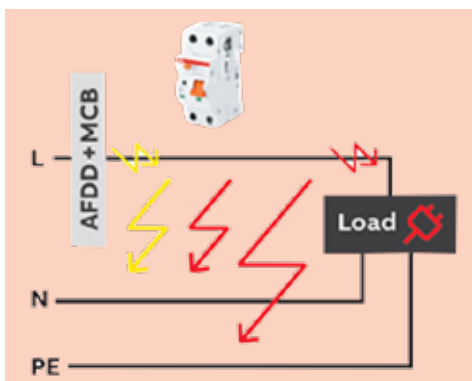
Torque Setting 2.8nM

10kA

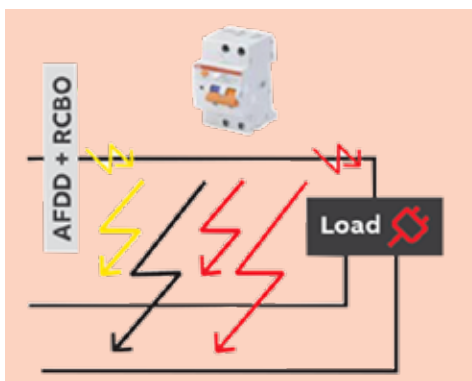


Order Code	GE Equivalent	Current Rating	Poles	Modules	Type	Price excl. GST
<b>F202A40APR</b>	<b>607095</b>	40A	2	2	A Type, Instantaneous (APR High Immunity)	\$487.43

Carton Qty
Box Qty: 1



AFDD with integrated MCB includes protection against overcurrent



AFDD with integrated RCBO includes protection against overcurrent and current leakage to earth



Reduces downtime with easy troubleshooting via LED monitoring



Compatible with System Pro M Compact® Accessories



## ARC FAULT DETECTION DEVICES

Reduce the risk of fire by using Arc Fault Detection Devices (AFDD) to protect against earth arc faults, parallel arc faults, and series arc faults.

Recommended for:

- Home and Daycare Centres
- Retirement Homes
- Hotels
- Hospitals
- Gas Stations
- Skyscrapers
- Museums
- R&D Centres and Laboratories

## AFDD WITH INTEGRATED MCB, C CURVE

230V AC

Overcurrent Protection

Torque Setting 2.8nM

6kA



Order Code	Current Rating	Poles	Modules	Price excl. GST
SARC1C6	6A	1 + N	2	\$240.00
SARC1C10	10A	1 + N	2	\$240.00
SARC1C16	16A	1 + N	2	\$240.00
SARC1C20	20A	1 + N	2	\$240.00

Carton Qty
Box Qty: 1

## AFDD WITH INTEGRATED RCBO - TYPE A, 30mA

230V AC

Overcurrent Protection

Earth Leakage Protection

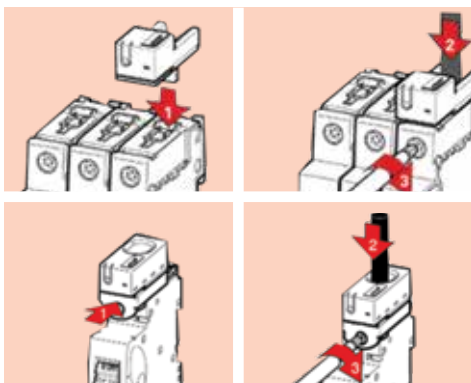
Torque Setting 2.8nM

6kA



Order Code	Current Rating	Poles	Modules	mA	Price excl. GST
DSARC1C6A30	6A	1 + N	3	30mA	\$380.00
DSARC1C10A30	10A	1 + N	3	30mA	\$380.00
DSARC1C16A30	16A	1 + N	3	30mA	\$380.00
DSARC1C20A30	20A	1 + N	3	30mA	\$380.00

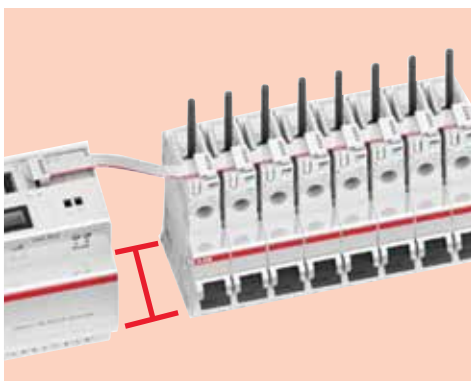
Carton Qty
Box Qty: 1



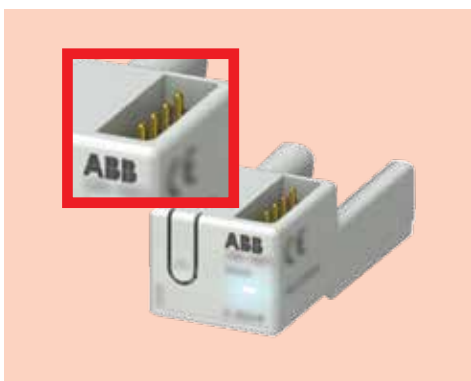
Easy MCB-mount sensors saves up to 30% of installation time



Easy retrofit and upgrade



Minimum space requirements due to ultra-compact sensors



One sensor for all currents DC, AC, or mixed (up to 160A)



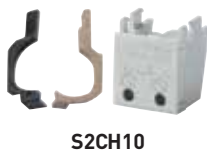
## CIRCUIT MONITORING SYSTEM

The CMS is an ultra-compact and high-performance multichannel measurement system for AC and DC branch monitoring.

It is a complete solution for monitoring electrical parameters in distribution panels, enabling power monitoring and energy efficiency analysis in buildings and critical power applications.



## SIGNAL / AUXILIARY CONTACTS



Order Code	Description	Contact Configuration	Price excl. GST
S2CH6R	Right side mount Auxiliary Contact Suits S200, F200, DS201, DS202C, SD200, DSE201M, S-ARC, DSRC	1 CO	\$72.00
S2CSH6R	Side mount Auxiliary/Signal Contact Suits S200, F200, DS201, DS202C, DSE201M, SD200	1 CO	POA
S2CH01	Bottom mount Auxiliary Contact Suits S200, DSE201M, DS-ARC	1 NC	POA
S2CH10	Bottom mount Auxiliary Contact Suits S200, DSE201M, DS-ARC	1 NO	POA

## INSULATED BUSBAR (WITH CIRCUIT INDICATOR)



Order Code	Type	Style	Size (mm <sup>2</sup> )	Amps End Fed	Amps Centre Fed	Ways	Price excl. GST
PS16016	1P	PS1	16	80A	130A	60 Way	\$105.00
PS258	2P	PS2	10	63A	80A	58 Way	\$197.81
PS25816	2P	PS2	16	80A	130A	58 Way	\$288.83
<b>PS360</b>	3P	PS3	10	63A	80A	60 Way	\$240.00
<b>PS36016</b>	3P	PS3	16	80A	130A	60 Way	\$295.00

## END CAPS



Order Code	Description	Price excl. GST
<b>PSEND0</b>	End Cap for PS1 Style Busbars	\$14.08
PSEND	End Cap for PS2 and PS3 Style Busbars	\$5.35

## CONNECTION TERMINALS



Order Code	Current Rating	Style	Size	Ways	Price excl. GST
<b>AST5015</b>	125A	Pin	6-50mm <sup>2</sup>	1	\$44.30

## CHANGEOVER SWITCHES



Order Code	GE Equivalent	Current Rating	Contact Configuration	Price excl. GST
E21316001	666586	16A	1CO	POA
E21416101	666606	16A	1CO I-0-II	POA
E21425202	666609	25A	2CO I-0-II	POA

Carton Qty
Box Qty: 10

## CONTACTORS

Order Code	GE Equivalent	AC-1	AC-3	Contact Configuration	Control Circuit	Type	Modules	Price excl. GST
ESB2011N01	666127	20A	9A	1NO 1NC	24V	AC/DC	1	\$95.00
<b>ESB2020N01</b>	<b>666133</b>	20A	9A	2NO	24V	AC/DC	1	\$99.00
ESB2011N06	666126	20A	9A	1NO 1NC	230V	AC/DC	1	\$95.00
<b>ESB2020N06</b>	<b>666131</b>	20A	9A	2NO	230V	AC/DC	1	\$85.60
<b>ESB2002N06</b>	<b>666128</b>	20A	9A	2NC	230V	AC/DC	1	\$117.50
<b>ESB2540N06</b>	<b>666142</b>	25A	9A	4NO	230V	AC/DC	2	\$135.00
ESB2504N06	666139	25A	9A	4NC	230V	AC/DC	3	\$140.80
ESB4020N06	666146	40A	22A	2NO	230V	AC/DC	3	\$235.00
ESB4040N06	666151	40A	22A	4NO	230V	AC/DC	3	\$302.50
ESB6340N06	666156	63A	30A	4NO	230V	AC/DC	3	\$385.00



ESB2020N01



ESB2540N06



ESB4040N06



ESB630N06

AC1: Non-Inductive or Slightly Inductive AC loads e.g. heaters or resistive loads  
 AC3: Inductive AC loads, e.g. motors

## LATCHING RELAYS



Order Code	Contact Configuration	Price excl. GST
E2901610230	1NO	POA
E2901620230	2NO	POA

Carton Qty
Box Qty: 10

## TIME RELAY MULTIFUNCTION



Order Code	Timing Functions	Contact Configuration	Price excl. GST
CTMFD21	7	2C/O	POA

Carton Qty
Box Qty: 1

Timing Functions - ON Delay/OFF Delay, Impulse ON, Impulse OFF  
 - Flasher Starting ON, Flasher Starting OFF, Pulse Former

## BELL TRANSFORMERS



Order Code	GE Equivalent	Power Supply	Price excl. GST
<b>TM1524</b>	<b>665901</b>	15VA	POA

Carton Qty
Box Qty: 6

## SURGE ARRESTORS - DEHN GUARD

Pluggable, single-pole surge arrester consisting of a base part and a plug-in protection module.



Order Code	Poles	Class	Maximum Discharge Current kA (8/20µs)	Maximum Continuous Voltage (Uc)	Cat Ref	Remote Signaling Contact	Module	Price excl. GST	Carton Qty
<b>952070</b>	1	2	40kA	275V	DG S 275		1	\$138.60	Box Qty: 1
<b>952090</b>	1	2	40kA	275V	DG S 275 FM	✓	1	\$280.50	

## SURGE ARRESTORS - COMMERCIAL/INDUSTRIAL



Order Code	Poles	Class	Discharge Current kA (8/20µs)	Maximum Continuous Voltage (Uc)	Cat Ref	Remote Signaling Contact	Module	Price excl. GST	Carton Qty
952315	3 + 1	2	Max 40kA	275V	DG M TT 275 FM	✓	4	\$1072.50	Box Qty: 1
<b>952305</b>	3	2	Max 40kA	275V	DG M TNC 275 FM	✓	3	\$781.00	
953205	2	3	Total 5kA	255V	DR M 2P 255 FM	✓	1	\$341.00	
<b>941305</b>	3	2	Nominal 12.5 / 37.5kA	255V	DSH TNC 255 FM	✓	4	\$1550.00	
<b>952330</b>	3	2	Nominal 20kA	275V	DG M TNC ACI 275 FM	✓	3	\$1166.00	
941310	3+1	1+2	125kA	255V	DSH TT 255	x	4	\$1897.50	
<b>952341</b>	3+1	2	120kA	275V	DGM TT ACI 275 FM	✓	4	\$1100.00	

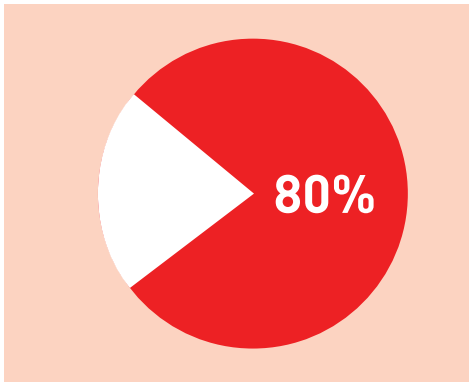
## REPLACEMENT MODULE



Order Code	Description	Cat Ref	Price excl. GST	Carton Qty
952010	Protection module for 952070,952090, 952305, 953205 and 952315	DG MOD 275	\$192.50	Box Qty: 1



Use with ABB Digital Timers.



Save up to 80% of commissioning time.

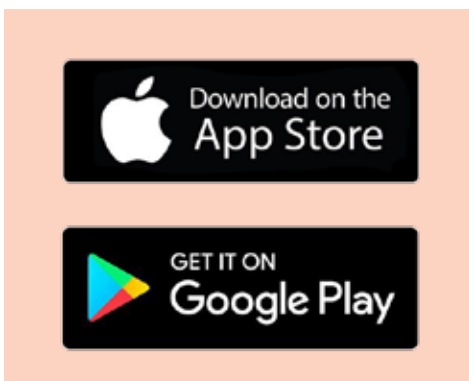


## EASY PROGRAMMING WITH THE ABB DBT TIMER APP



Update programming remotely.

Use the DBT Timer app to create new programs, manually control the relay output(s), activate the random and cyclic function, view parameters, and transfer programs from one device to another.



Download the **DBT Timer** app via the Apple Store or Google Play.

## ANALOGUE TIME SWITCHES

230V AC

16A



Order Code	Program	Channel	Reserve	Shortest Switch Time	Modules	Price excl. GST
AD1NOR15M	Daily	1	100hrs	15 mins	1	POA
<b>AD1R15M72</b>	Weekly	1	100hrs	15 mins	4 (DIN & Panel Mount)	POA
<b>AD1COR15M</b>	Daily	1	150hrs	15mins	2	POA

Carton Qty

Box Qty: 1

## DIGITAL TIME SWITCHES

230V AC

Bluetooth Interface

DBT Timer App Programmable

16A



Order Code	Program	Channel	Reserve	Time App	Modules	Price excl. GST
DW1	Weekly	1	6 Years	Yes	2	POA
DW2	Weekly	2	6 Years	Yes	2	POA
DY365	Yearly	2	6 Years	Yes	4	POA

Carton Qty

Box Qty: 1

## TIME SWITCH & LIGHT SENSOR

230V AC

16A

2 to 200 Lux



Order Code	Contact Configuration	Modules	Price excl. GST
TL1	1 NO	1	POA

Carton Qty

Box Qty: 1

find us:



**DISCLAIMER**

YUNCO INDUSTRIES (NZ) LIMITED has endeavoured to provide accurate and correct information in this publication.

YUNCO INDUSTRIES (NZ) LIMITED does not accept responsibility for any inadvertent errors or admissions contained in this catalogue, and reserves the right to change specifications and prices at any time without notice.

Please find our full Terms and Conditions of Supply of Goods and Services on our website.

## VYNCO INDUSTRIES NZ LIMITED

### Christchurch

388 - 396 Tuam Street, Philipstown, Christchurch 8011  
PO Box 9022, Tower Junction, Christchurch 8149  
New Zealand  
**P** +64 3 379 9283 **F** +64 3 379 6838  
**E** sales@vynco.co.nz

### Auckland

9 Levene Place, Mt Wellington, Auckland 1060  
PO Box 12 249, Penrose, Auckland 1642  
New Zealand  
**P** +64 9 525 6051 **F** +64 9 525 5799  
**E** sales@vynco.co.nz

*Stock is available for pick up from the above locations.*

[facebook.com/vyncoindustriesltd](https://facebook.com/vyncoindustriesltd)  
[instagram.com/vynco\\_industries](https://instagram.com/vynco_industries)

# VYNCO.CO.NZ