

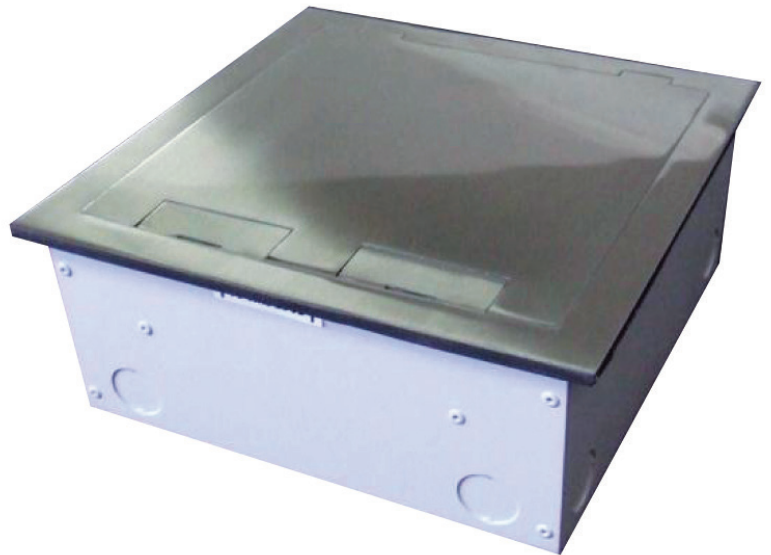
# FF0B-255S FLOOR BOX

The solid stainless steel flush lid is useful for installations where the flooring material is not required in a rebated cover. Two cord outlet ports fold into the box to allow cables to exit when in use.

**STAINLESS STEEL FLUSH LID**

**SOLID LID**

**STRAIGHT EDGE FOR TILE/TIMBER:**  
Fits flush with flooring finish



**-LID SIZE:** 245 x 245 mm

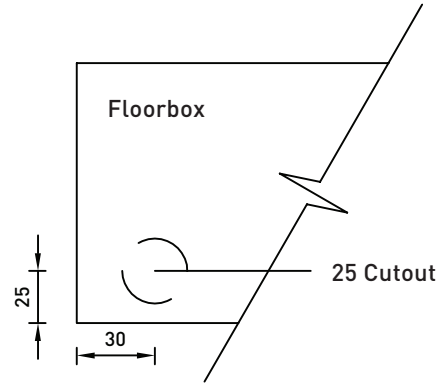
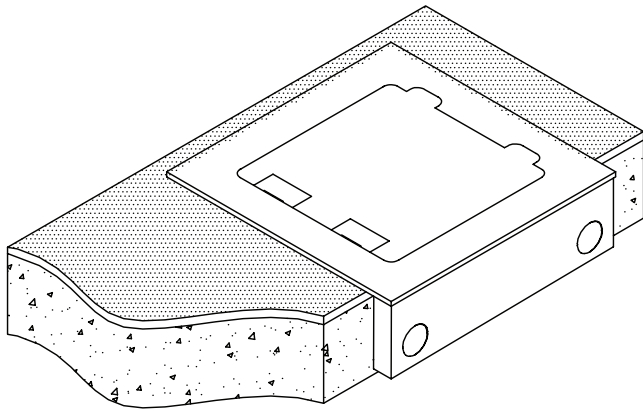
**-BOX BODY SIZE:** 228 x 230 x 110 mm

**-SUPPLIED WITH:**

1 x 4-Gang Power Outlet

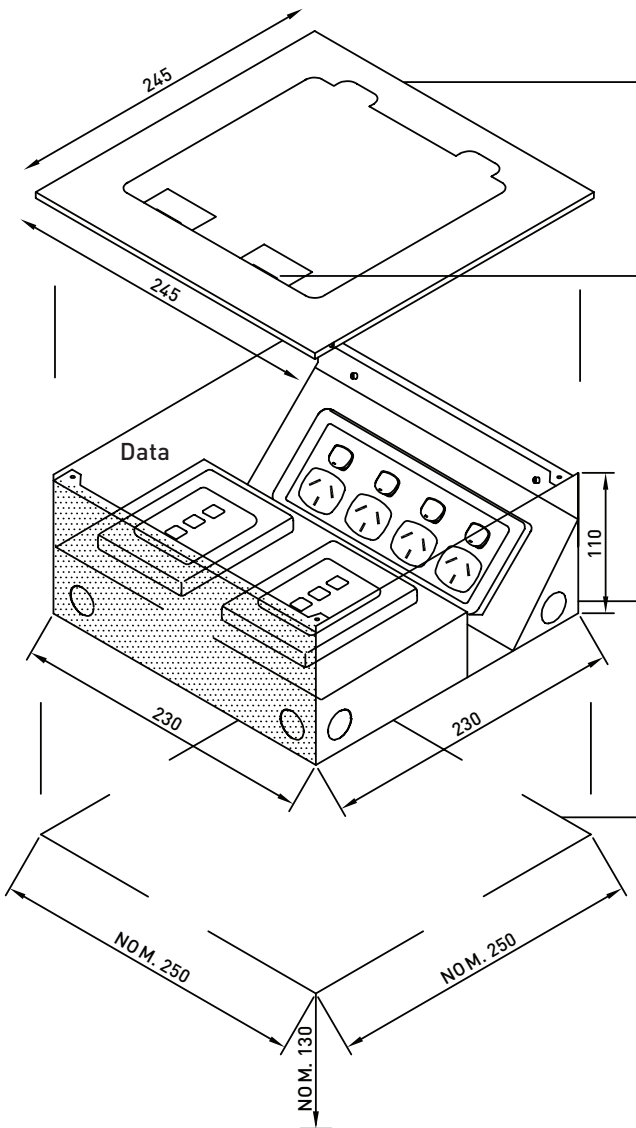
2 x Standard 2-Gang Plate Only

## FF0B-255S ASSEMBLY



Typical Conduit Hole Location and Size

### FEATURES:



Stainless Steel 5mm Hinged Cover screw fixes to steel box body. Straight Edge for butt joint with tile.

2 x Cord outlet flaps fold down when in use to allow cords to exit with the main cover closed.

Steel box body (228 x 230 x 110 mm deep).  
8 No. 25 mm diameter conduit knockouts (2 on each side).  
Box body can be cast directly into concrete or into a preformed recess (250 x 250 x 130 mm deep).

Recess Size: **Nom** 250 x 250 x 130 mm deep.