

FFOB-248S FLOOR BOX

The deep rebate flush lid can accept a wider range of floor coverings, such as timber, tile or carpet, than most conventional models. Two cord outlet ports fold into the box to allow cables to exit when in use.

STAINLESS STEEL SURFACE LID

14MM REBATE LID FOR FLOORING

BEVELLED EDGE:
Fits on top of flooring finish



-LID SIZE: 245 x 245 mm

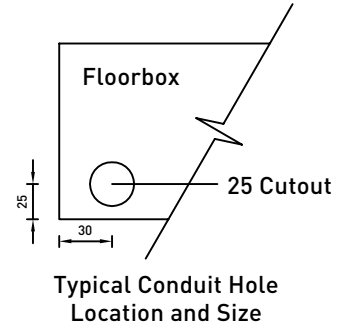
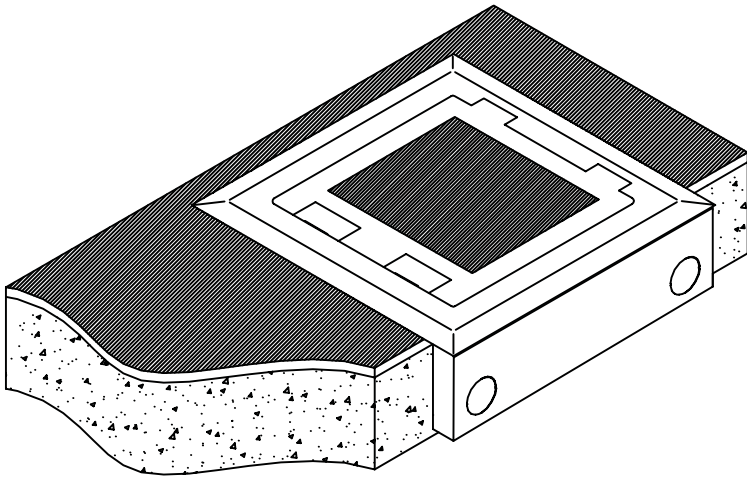
-BOX BODY SIZE: 228 x 230 x 110mm

-SUPPLIED WITH:

1 x 4-Gang Power Outlet

2 x Standard 2-Gang Plate Only

FFOB-248S ASSEMBLY



FEATURES:

Stainless Steel 5 mm Hinged Cover screw fixes to steel box body.

14 mm deep rebate for timber/tile/carpet infill.

2 x cable exit ports fold down when in use to allow cables to exit with the main cover closed.

Steel box body (228 x 230 x 110 mm deep) 8 No. 25 mm conduit knockouts (2 on each side).
Box body can be cast directly into concrete or into a preformed recess (250 x 250 x 130 mm deep).

Recess Size: **Nom.** 250 x 250 x 130 mm deep.

